

AS/400e 170 or 250



# 2723 Ethernet Card Instruction

*Version 4*



AS/400e 170 or 250



# 2723 Ethernet Card Instruction

*Version 4*

**Note**

Before using this information and the product it supports, be sure to read the "Safety and Environmental Notices" on page iii and the "Notices" on page 17.

**Fifth Edition (July 2000)**

This edition applies only to reduced instructions set computer (RISC) systems.

© Copyright International Business Machines Corporation 1998, 2000. All rights reserved.

US Government Users Restricted Rights – Use, duplication or disclosure restricted by GSA ADP Schedule Contract with IBM Corp.

---

## Safety and Environmental Notices

---

### Danger Notices

A danger notice calls attention to a situation that is potentially lethal or extremely hazardous to people.

#### DANGER

An electrical outlet that is not correctly wired could place hazardous voltage on metal parts of the system or the products that attach to the system. It is the customer's responsibility to ensure that the outlet is correctly wired and grounded to prevent an electrical shock. (RSFTD201)

#### DANGER

To prevent a possible electrical shock when installing the system, ensure that the power cords for all devices are unplugged before installing signal cables. (RSFTD202)

#### DANGER

To prevent a possible electrical shock when adding or removing any devices to or from the system, ensure that the power cords for those devices are unplugged before the signal cables are connected or disconnected. If possible, disconnect all power cords from the existing system before you add or remove a device. (RSFTD203)

#### DANGER

To prevent a possible electrical shock during an electrical storm, do not connect or disconnect cables or station protectors for communications lines, display stations, printers, or telephones. (RSFTD003)

#### DANGER

To prevent a possible electrical shock from touching two surfaces with different electrical grounds, use one hand, when possible, to connect or disconnect signal cables. (RSFTD004)

### Caution Notices

A caution notice calls attention to a situation that is potentially hazardous to people because of some existing condition.

#### CAUTION:

**Telecommunications Statement:** This unit contains over-voltage circuits between the ac power outlet and the unit. These circuits meet the standard limits described in International Electrical Commission (IEC) 664, installation category II. It is the customer's responsibility to ensure that the power outlet meets the standards of IEC 664, installation category II. (RSFTC214)

## **Laser Safety Information**

### **CAUTION:**

This product may contain a CD-ROM which is a class 1 laser product.  
(RSFTC240)

## **Product Recycling and Disposal**

Components of the system, such as structural parts and circuit cards, can be recycled where recycling facilities exist. IBM does not currently collect and recycle used IBM products from customers in the United States other than those products that are involved in trade-in programs. Companies are available to disassemble, reutilize, recycle, or dispose of electronic products. Contact an IBM account representative for more information.

The system unit contains batteries and circuit boards with lead solder. Before you dispose of this unit, these batteries and circuit boards must be removed and discarded according to local regulations or recycled where facilities exist. This book contains specific information on each battery type where applicable.

## **Battery Return Program**

In the United States, IBM has established a collection process for reuse, recycling, or proper disposal of used IBM batteries and battery packs. For information on proper disposal of the batteries in this unit, please contact IBM at 1-800-426-4333. Please have the IBM part number that is listed on the battery available when you make your call. For information on battery disposal outside the United States, contact your local waste disposal facility.

## **Environmental Design**

The environmental efforts that have gone into the design of the system signify IBM's commitment to improve the quality of its products and processes. Some of these accomplishments include the elimination of the use of Class I ozone-depleting chemicals in the manufacturing process, reductions in manufacturing wastes, and increased product energy efficiency. For more information, contact an IBM account representative.

---

## Installation Instructions

This feature is customer installed. It will take approximately 1 hour to install the hardware. However, you may elect not to perform this feature installation yourself. You may contact IBM or an Authorized Dealer to make arrangements for them to perform the feature installation for a fee.

You need to allow additional time to complete your jobs, back up your system, IPL your system, and verify your hardware configuration.

- \_\_\_ 1. When you use these instructions, you will do the following:
  - Remove the system unit covers.
  - Install your new hardware.
  - Install covers.
  - IPL your operating system.
  - Verify your new hardware configuration.
- \_\_\_ 2. Some of the steps in these instructions may require a tool to remove the screws. Use a medium-sized standard screwdriver or a 5.5 mm socket wrench.
- \_\_\_ 3. Some of the pictures in these instructions may not look exactly like the system unit that you have. However, the steps to perform the task are the same.
- \_\_\_ 4. Before you begin:
  - a. Ensure that you have a current backup of your operating system and licensed programs. If you have backed up the operating system and licensed programs since the last time you applied PTFs, that backup is acceptable.
  - b. Ensure that you take a few minutes to become familiar with these instructions.
- \_\_\_ 5. If there are incorrect, missing or visibly damaged parts, contact one of the following:
  - Your authorized dealer
  - Point of purchase (For example, IBM Direct)
  - IBM Rochester Manufacturing Automated Information Line (R-MAIL)
    - 1-800-300-8751 (United States)
    - 1-507-253-5242 (worldwide)
- \_\_\_ 6. Determine if there are any existing prerequisites before you install your new feature. Go to this Web site and locate your feature number and OS/400 release and check the prerequisites.  
[http://as400service.ibm.com/s\\_dir/slkbases.NSF/](http://as400service.ibm.com/s_dir/slkbases.NSF/)

Then do the following to get to the Customer Install Features Prerequisites:

- a. Select **All Documents**
- b. Select **Collapse**
- c. Select **General Information**
- d. Select **Offerings**
- e. Select **Feature Prerequisites**
- f. Select **Customer Install Features Prerequisites**

When you have the following cards, install them in the sequence listed below.

- The 2809 or 2824 LAN/WAN workstation card
- The 285x or 2866 Integrated NetFinity cards
- All other adapter cards

---

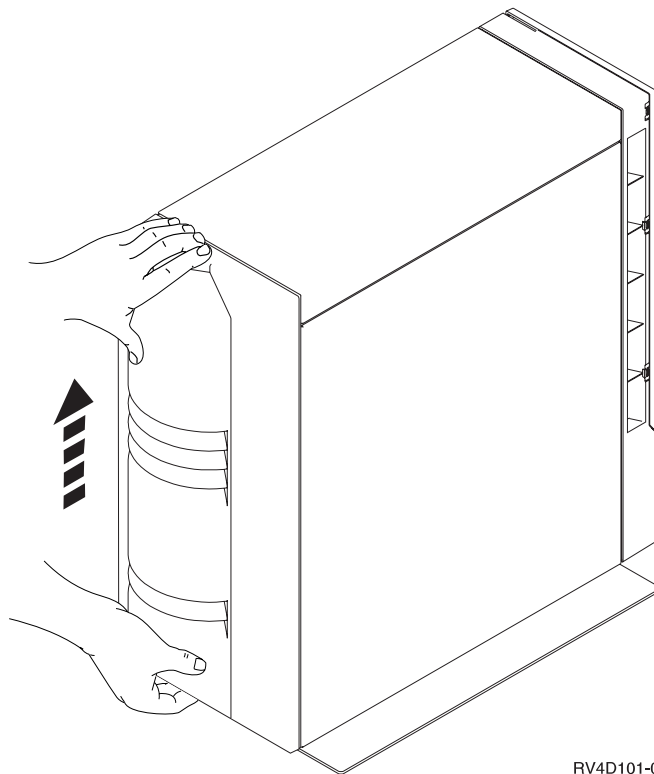
## Getting Ready

- \_\_\_ 1. Ensure that all jobs are complete.
- \_\_\_ 2. When all jobs are complete, type  
`pwrdownsys *immed`

on an AS/400 command line and press the Enter key.

**Note:** Should you encounter difficulties during the installation, contact your authorized dealer or service provider.

- \_\_\_ 3. When the AS/400 is powered down, power off all PCs and devices, such as printers and displays, that are connected to the system unit.
- \_\_\_ 4. Unplug any power cords, such as printers and displays, from electrical outlets.
- \_\_\_ 5. Unplug the system unit power cord from the electrical outlet.
- \_\_\_ 6. Remove the system unit back cover by placing your hand near the bottom of the cover and lifting up and out (Figure 1).



RV4D101-0

Figure 1. Remove System Unit Back Cover

## Determining Where to Install Your New Card

- \_\_\_ 1. There are two ways to determine your card placement:



- A card placement tool is available on the Internet. You can access it at: [www.ibm.com/as400/cif](http://www.ibm.com/as400/cif).

After you have used the tool to determine the card placement, return to these instructions to install the card. Go to step 2

**or**

- Continue with these instructions.

2. The adapter card slots are labeled C03 through C09 in the base unit and E02 through E14 in the expansion unit (Figure 2).

**Notes:**

- Slots C01 or E01 are not available positions.
- Slot C02 is not visible on the back of the system unit.
- Fill the adapter card slots in the base unit first.
- Slot C09 is easier to access when the plastic airflow baffle above it is removed. Reinstall the airflow baffle to ensure proper disk unit operation and cooling.

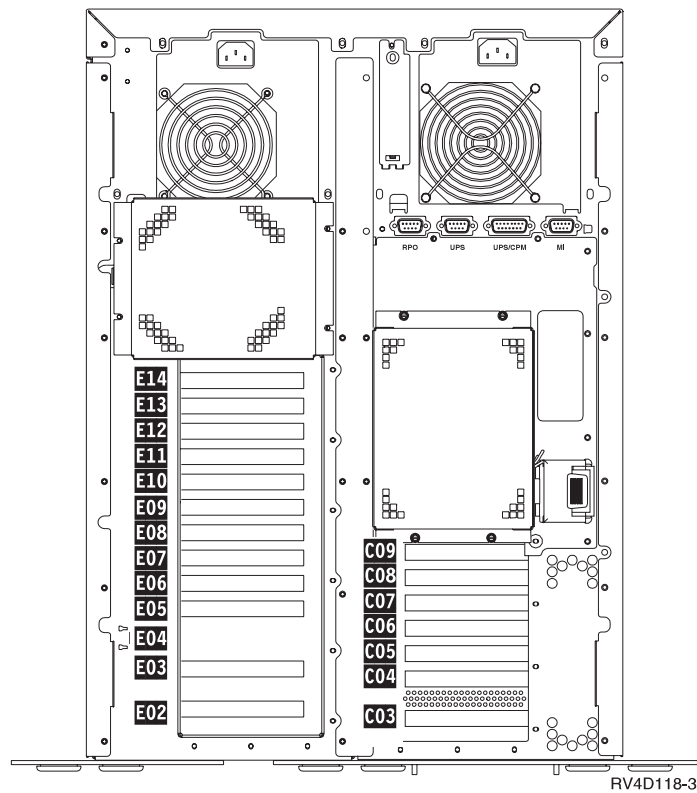


Figure 2. Adapter Card Positions

3. Do you have card placement rules from step 1 on page 2?

**No      Yes**

↓      Go to "Installing the 2723 Ethernet Card" on page 7.

4. It is very important for you to determine in which slot to install your adapter card. Look at the back of your system unit to see which card slots are available. Find the adapter card number in the Card Number column in one of the following tables. If the position is not available in the first table, then continue through the tables until you find an available slot.

- Go to Table 1 if card slot C04 is empty.
- Go to Table 2 if cards are installed in slots C02 and C04.
- Go to Table 3 on page 5 if you have an expansion unit installed and cards are not installed in slots E02 and E04.
- Go to Table 4 on page 6 if you have an expansion unit and cards are installed in slots E02 and E04 or are going to be installed.

**Remember:**

If a slot position is not available in Table 1, go to Table 2, then Table 3, and so on, until you find an available slot.

*Table 1. No card is installed in C04*

Name	Card Number	Card Slot
Wide area network (WAN)/Twinaxial input/output adapter (IOA)	2720	C08, C09 (maximum = 1)
Twinaxial Workstation IOA	2722	C09
Two-Line WAN IOP	2721	C09, C08
Two-Line WAN IOP	2745	C09, C08, C03
Twinaxial Workstation IOA	2746	C09, C03
100/10Mbps Ethernet IOA	2838 <sup>1</sup> , <sup>3</sup>	C03
Integrated Services Digital Network (2750 BRI U, 2751 BRI S/T), Integrated Analog Modem (2761)	2750, 2751, 2761	C03 (Maximum of 1 per IOP)
Ethernet IOA (2723), 16/4Mbps Token-Ring IOA (2724)	2723 <sup>1</sup> , 2724 <sup>1</sup>	C09 <sup>2</sup> , C03 (maximum = 1)
Disk Unit Controller	2728	C07
Redundant Array of Independent Disks (RAID) Disk Unit Controller	2740, 2748, 2763	C07
<sup>1</sup> Use Table 2 or Table 4 if specify code 0220, 0221, or 0222 is on the order. <sup>2</sup> Not allowed in C09 if 2838 or ATM card is installed in C03. <sup>3</sup> No 2723 or 2724 allowed in C09.		

**If a slot position is not available, use the next table.**

*Table 2. A card is installed in C04*

Name	Card Number	Card Slot
Integrated NetFinity Server (This feature consists of two cards)  <b>Note:</b> Slot C03 is inactive when the Integrated NetFinity Server cards are installed in slots C02 and C04. The card in C03 has to be moved.	285x or 2866	C02
	285A	C04
WAN/Twinaxial IOA	2720	C08, C09 (maximum = 1)
Twinaxial Workstation IOA	2722, 2746	C09
Two-Line WAN IOP	2721	C09, C08
Two-Line WAN IOP	2745	C09, C08,
100/10Mbps Ethernet IOA	2838 <sup>1</sup>	C05, C06 (Maximum = 1)
Ethernet IOA (2723), 16/4Mbps Token-Ring IOA (2724)	2723 <sup>1</sup> , 2724 <sup>1</sup>	C05, C06, C09

Table 2. A card is installed in C04 (continued)

Name	Card Number	Card Slot
Disk Unit controller	2728	C07
RAID Disk Unit Controller	2740, 2748, 2763	C07

<sup>1</sup> When specify code 0220, 0221, or 0222 is on the order, install the card in C05 or C06. The specify codes 0220, 0221, or 0222 indicate that the cards are driven by the Integrated NetFinity (285x or 2866) card.

**If a slot position is not available, use the next table.**

Table 3. No card is installed in E02

Name	Card Number	Card Slot
Magnetic Media Controller	2718, 2729	E09
Ethernet IOA (2723), 16/4Mbps Token-Ring IOA (2724)	2723 <sup>8</sup> , 2724 <sup>8</sup>	E13 <sup>2</sup> ; E14 <sup>2</sup> ; E08 (Maximum = 2)
155Mbps UTP0C3 ATM	2815 <sup>1, 4</sup>	E08
155Mbps MMF ATM	2816 <sup>1, 4</sup>	E08
155Mbps SMF OC3 ATM	2818 <sup>1, 4</sup>	E08
100/10Mbps Ethernet IOA	2838 <sup>1, 4, 8</sup>	E08
Two-Line WAN IOP	2721	E13 <sup>1</sup> , E14
Two-Line WAN IOP	2745	E13 <sup>1</sup> , E14, E09 <sup>2</sup> , E08
Twinaxial Workstation IOA	2722	E14, E13 <sup>1</sup>
Twinaxial Workstation IOA	2746	E13 <sup>1</sup> , E14, E09 <sup>2</sup> , E08
Integrated Services Digital Network, (2750 BRI U, 2751 BRI S/T), Integrated Analog Modem (2761)	2750 <sup>2</sup> , 2751 <sup>2</sup> , 2761 <sup>2</sup>	E03, E09 or E08 (Maximum of 1 per IOP)
PCI Cryptographic Coprocessor	4758 <sup>2</sup>	E09 or E08 (Maximum = 1)
Combined Function IOP	2809, 2824	E07
<b>2824 or 2809 is required in E07 to install any of the following cards:</b>		
Magnetic Media Controller	2718, 2729	E03
100/10Mbps Ethernet IOA	2838 <sup>7, 8</sup>	E03
Ethernet IOA (2723), 16/4Mbps Token-Ring IOA (2724)	2723 <sup>5, 8</sup> , 2724 <sup>5, 8</sup>	E11, E12, E03 (Maximum = 2)
Integrated Services Digital Network (2750 BRI U, 2751 BRI S/T), Integrated Analog Modem (2761)	2750, 2751, 2761	E03 <sup>3</sup> , E08, E09 (Maximum 1 per IOP)
155Mbps UTPOC3 ATM	2815 <sup>7</sup>	E03
155Mbps MMF ATM	2816 <sup>7</sup>	E03
155Mbps SMF OC3 ATM	2818 <sup>7</sup>	E03
Two-Line WAN IOP	2721	E11, E12
Two-Line WAN IOP	2745	E11, E12, E03
Twinaxial Workstation IOA	2722	E11, E12
Twinaxial Workstation IOA	2746	E11, E12, E03
PCI Cryptographic Coprocessor	4758	E03 <sup>3</sup>
25MBPS UTP ATM	2811 <sup>3</sup>	C03
45MBPS Coax T3/DS3 ATM	2812 <sup>3</sup>	C03

Table 3. No card is installed in E02 (continued)

Name	Card Number	Card Slot
34Mbps Coax E3 ATM	2819 <sup>3</sup>	C03
25MBPS UTP ATM	2811 <sup>3</sup>	C03
45MBPS Coax T3/DS3 ATM	2812 <sup>3</sup>	C03
34Mbps Coax E3 ATM	2819 <sup>3</sup>	C03
<p><sup>1</sup> If you have a 2824 installed in E10 and a 2838 or ATM card installed in E03 or E08, slot positions E13 and E14 must remain open.</p> <p><sup>2</sup> 2824 required in E10.</p> <p><sup>3</sup> 2824 required in E07.</p> <p><sup>4</sup> No 2723 or 2724 allowed in E13 or E14.</p> <p><sup>5</sup> Not allowed if 2838 or ATM card is installed in E03.</p> <p><sup>6</sup> Not allowed if 2838 or ATM card is installed in E08.</p> <p><sup>7</sup> No 2723 or 2724 allowed in E11 or E12.</p> <p><sup>8</sup> Use Table 5 if specify code 0220, 0221, 0222 is on the order.</p>		

**If a slot position is not available, use the next table.**

Table 4. A card is installed in E02

Name	Card Number	Card Slot
Magnetic Media Controller	2718, 2729	E09
100/10Mbps Ethernet IOA	2838 <sup>1</sup> , <sup>3</sup> , <sup>4</sup>	E08
Ethernet IOA (2723), 16/4Mbps Token-Ring IOA (2724)	2723 <sup>3</sup> , 2724 <sup>3</sup>	E13 <sup>2</sup> ; E14 <sup>2</sup> ; E08 (Maximum = 2)
155Mbps UTP0C3 ATM	2815 <sup>1</sup> , <sup>4</sup>	E08
155Mbps MMF ATM	2816 <sup>1</sup> , <sup>4</sup>	E08
155Mbps SMF OC3 ATM	2818 <sup>1</sup> , <sup>4</sup>	E08
100/10Mbps Ethernet IOA	2838 <sup>1</sup> , <sup>4</sup>	E08
Two-Line WAN IOP	2721	E13 <sup>1</sup> , E14
Two-Line WAN IOP	2745	E13 <sup>1</sup> , E14, E09 <sup>2</sup> , E08
Twinaxial Workstation IOA	2722	E14, E13 <sup>1</sup>
Twinaxial Workstation IOA	2746	E13 <sup>1</sup> , E14, E09 <sup>2</sup> , E08
Integrated Services Digital Network, (2750 BRI U, 2751 BRI S/T), Integrated Analog Modem (2761)	2750 <sup>2</sup> , 2751 <sup>2</sup> , 2761 <sup>2</sup>	E03, E09 or E08 (Maximum of 1 per IOP)
PCI Cryptographic Coprocessor	4758 <sup>2</sup>	E09 or E08 (Maximum = 1)
Combined Function IOP	2809, 2824	E07
<b>2824 or 2809 is required in E07 to install any of the following cards:</b>		
100/10Mbps Ethernet IOA	2838	E05 <sup>3</sup> , E06 <sup>3</sup> (Maximum = 1)
Ethernet IOA (2723), 16/4Mbps Token-Ring IOA (2724)	2723, 2724	E05 <sup>3</sup> , E06 <sup>3</sup> , E11 <sup>6</sup> , E12 <sup>6</sup> <b>Note:</b> When an INS is in E02/E04, then you can have a LAN card in either E11 or E12, but not in both.
Two-Line WAN IOP	2721	E11, E12

Table 4. A card is installed in E02 (continued)

Name	Card Number	Card Slot
Two-Line WAN IOP	2745	E11, E12
Twinaxial Workstation IOA	2722	E11, E12
Twinaxial Workstation IOA	2746	E11, E12

<sup>1</sup> If you have a 2824 is installed in E10 and a 2838 or ATM card installed in E03 or E08, slot positions E13 and E14 must remain open.

<sup>2</sup> 2824 required in E10.

<sup>3</sup> When specify code 0220, 0221, 0222 is on the order, install the card in E05 or E06.

<sup>4</sup> No 2723 or 2724 allowed in E13 or E14.

<sup>5</sup> Not allowed if 2838 or ATM is installed in E08.

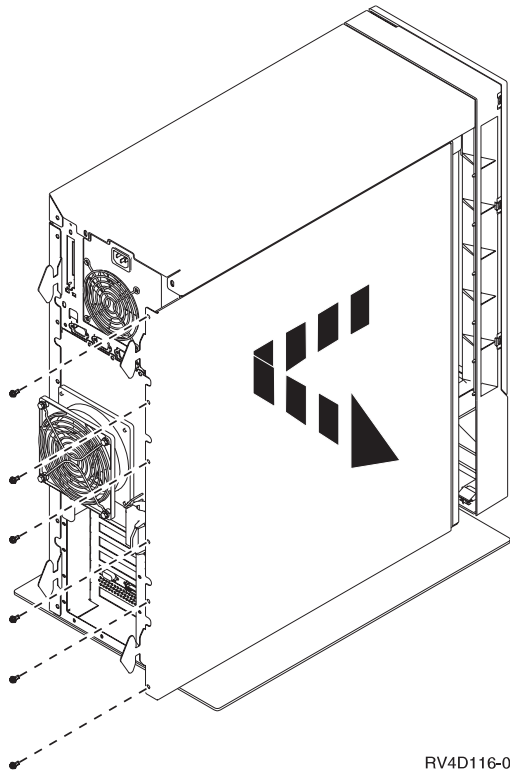
---

## Installing the 2723 Ethernet Card

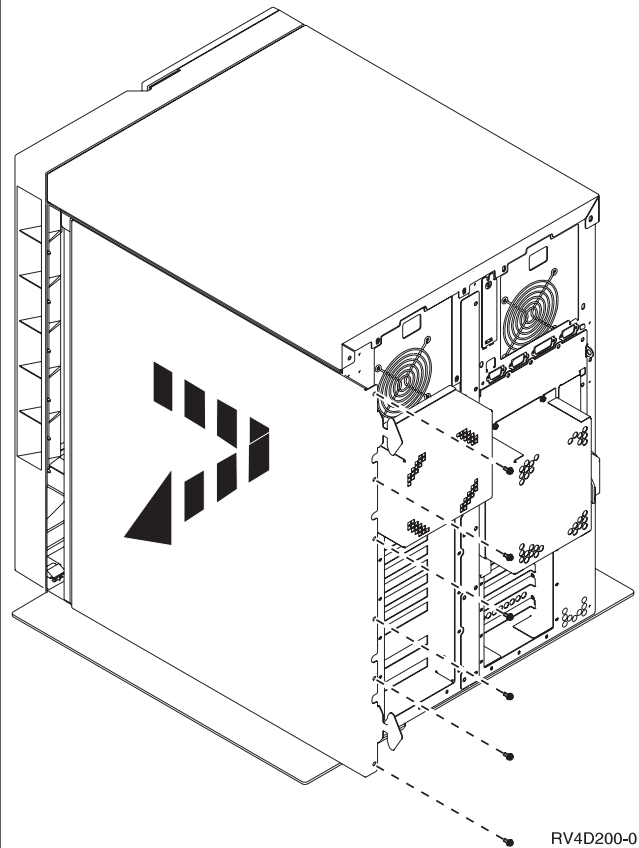
- 1. Remove the side cover by removing the screws and sliding the cover from front to back until it stops. Pull the cover out (Table 5 on page 8).
  - Remove only the right side cover (looking at the back of the system unit), when installing a device in the base unit.
  - Remove the left side cover, when you have an expansion unit, and when you have a device to install in the expansion unit.
  - Remove both side covers, when you have an expansion unit, and when you have devices to install in both the base and expansion unit.

Table 5. Remove Side Cover

Right Side Cover



Left Side Cover



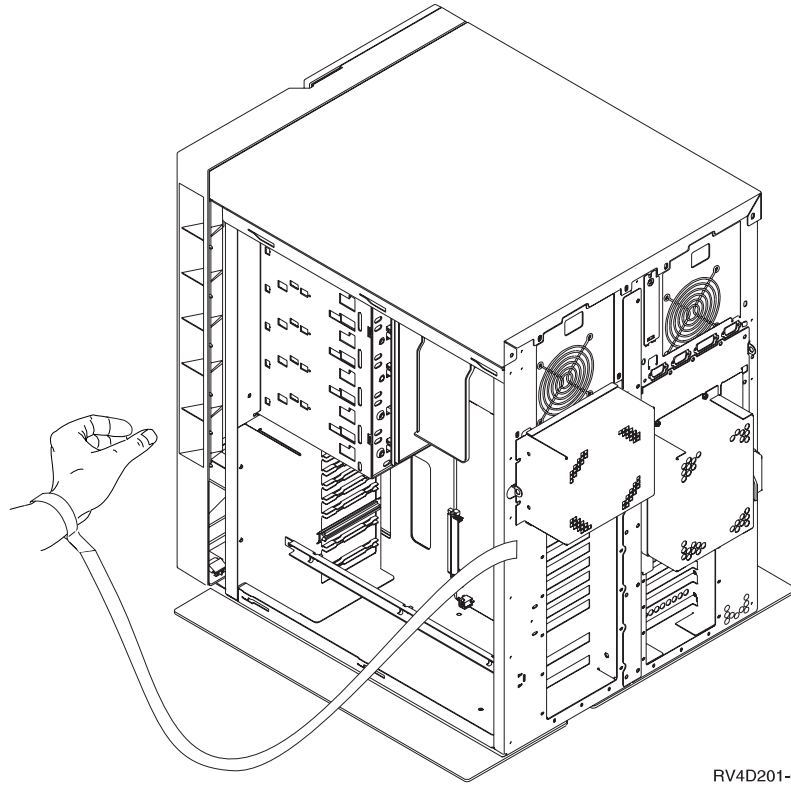
Your system unit contains a battery that only trained service personnel can replace.

- 2. **CAUTION:**  
The battery is a lithium battery. Only trained service personnel may replace this battery using the instructions in the Problem Analysis, Repair, and Parts service manual. To avoid possible explosion, do not burn or charge the battery. Exchange only with the IBM-approved part. Discard the battery as instructed by local regulations. (RSFTC241)
- 3. Attach the disposable wrist strap to prevent electrostatic discharge from damaging a device. Figure 3 on page 9 shows an example of where to attach the adhesive part of the foil to an unpainted surface.

**Notes:**

- a. Follow the same precautions you would use without the wrist strap. The 2209 Disposable Wrist Strap is for static control. It will not increase nor decrease your risk of receiving electric shock when using or working on electrical equipment.
- b. Discard the wrist strap immediately and contact your dealer for a replacement, if the disposable wrist strap appears damaged or cut off. Do not continue until new wrist strap is available.
- c. Remove the liner from the copper foil at the end, when you unroll the wrist strap.

- d. Attach the copper foil to an **exposed, unpainted** metal surface on the frame of the system unit (electrical ground).



RV4D201-0

Figure 3. Attach Wrist Strap

- \_\_\_ 4. Do you need to move an adapter card?

Yes    No

↓        Go to step 12 on page 11.

- \_\_\_ 5. **DANGER**

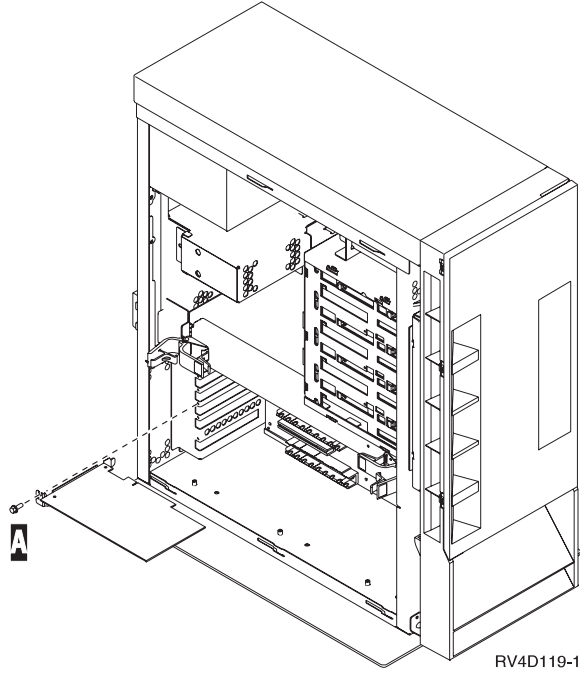
**To prevent a possible electrical shock when adding or removing any devices to or from the system, ensure that the power cords for those devices are unplugged before the signal cables are connected or disconnected. If possible, disconnect all power cords from the existing system before you add or remove a device. (RSFTD203)**

Disconnect the cable from the adapter card.

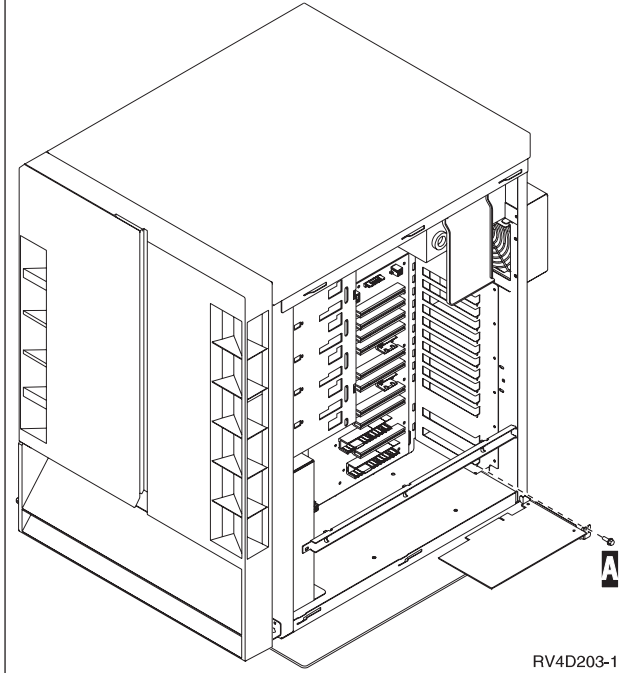
- \_\_\_ 6. Remove the screw **A** from the card tab (Table 6 on page 10).

Table 6. Remove or Install Adapter Card

Base Side



Expansion Side



- \_\_\_ 7. **Attention:** Adapter cards are fragile:
- Handle only by the edges
  - Keep fingers off printed circuit area
  - Use static strap when handling
  - Leave in protective packaging until ready to install

Remove the adapter card from the system unit by pulling straight out from the connector.

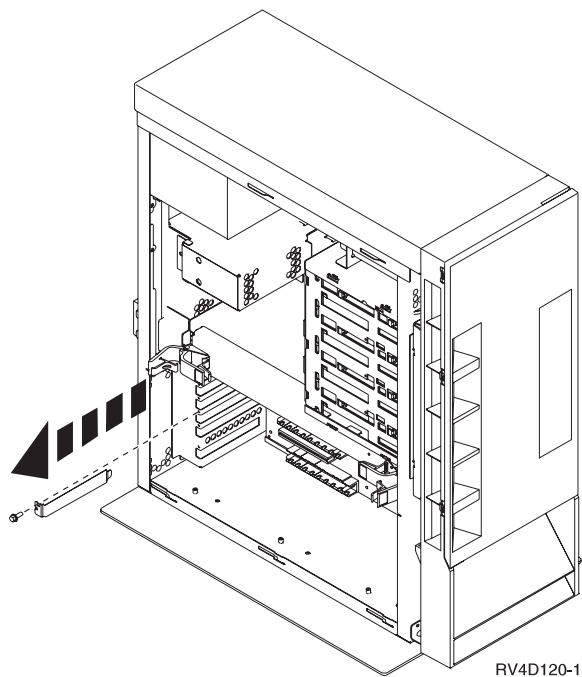
- \_\_\_ 8. Turn the card over and look for the label with the feature number; for example, 2724, 2723, and so on.
- \_\_\_ 9. Find the card slot position inside the system unit where you are going to install the card.

**Note:** You can remove the adapter card slot cover inside the system unit by removing the screw and sliding the slot cover out (Table 7 on page 11).

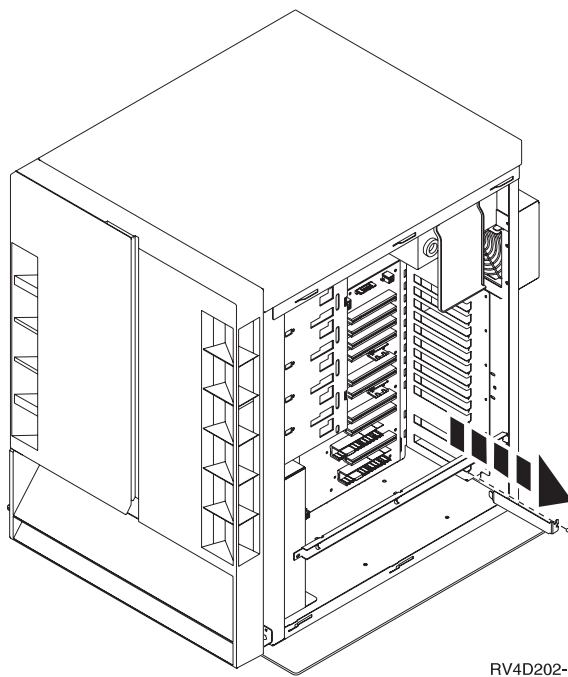


Table 7. Remove Adapter Card Slot Cover

Base Side



Expansion Side



- \_\_\_ 10. Reinstall the adapter card by doing the following:
  - a. Align the adapter card with the card slot.
  - b. Slide the card into the system unit and push on both sides of the card until the card is all the way into the slot and the connector.

**Note:** The screw tab on the adapter card should be even with the frame on the system unit and aligned with the screw hole when completely installed.

- c. Install the screw that holds the adapter card in place.
- \_\_\_ 11. Reconnect the cable to the card. Be sure to label the cable with the new card position; for example, C08.
- \_\_\_ 12. Before you install the new adapter card, remove the adapter card slot cover by removing the screw and sliding the slot cover out (see Table 7).
- \_\_\_ 13. **Attention:** Adapter cards are fragile:
  - Handle only by the edges
  - Keep fingers off printed circuit area
  - Use static strap when handling
  - Leave in protective packaging until ready to install

Find the package that contains the new adapter card and remove it from the electrostatic package.

- \_\_\_ 14. Install the new adapter card by doing the following:
  - a. Align the adapter card with the card slot.

**Note:** If installing the adapter card in slot C09, the position is easier to access when the plastic airflow baffle above the card is removed. You must reinstall the airflow baffle to ensure proper disk unit operation and cooling.

- b. Slide the card into the system unit and push on both sides of the card until the card is all the way into the slot and the connector.

**Note:** The screw tab on the adapter card should be even with the frame on the system unit and aligned with the screw hole when completely installed.

- c. Install the screw **A** that holds the adapter card in place (Table 6 on page 10).
- \_\_\_ 15. Find one of the following cables for the 2723 adapter card. The connectors look like this:



- **RJ45 Ethernet cable**

The RJ45 Ethernet network cable is not supplied with the adapter card.

- **Ethernet cable**

The Ethernet network cable is not supplied with the adapter card.

- \_\_\_ 16. Connect the cable to the connector on the 2723 adapter card by doing the following:
- Label the cable, for example C05, for a cable that is connected to an adapter card in slot C05.

**Notes:**

- a. You will connect only one cable to the 2723 card.
  - b. If you are connecting the RJ45 Ethernet cable, connect Part Number 75G2865 or 75G5958 (a short external filter cable) to the connector on the 2723 card. Then connect the network cable.
- Align the cable connector with the connector on the 2723 adapter card.
  - Connect the other end of the cable to a network or a device. Use the manual for the network or device.
- \_\_\_ 17. Do you have any other adapter cards or devices to install?

**No**      **Yes**

↓      If you know where to install the adapter card, follow the steps you just performed to install the card.

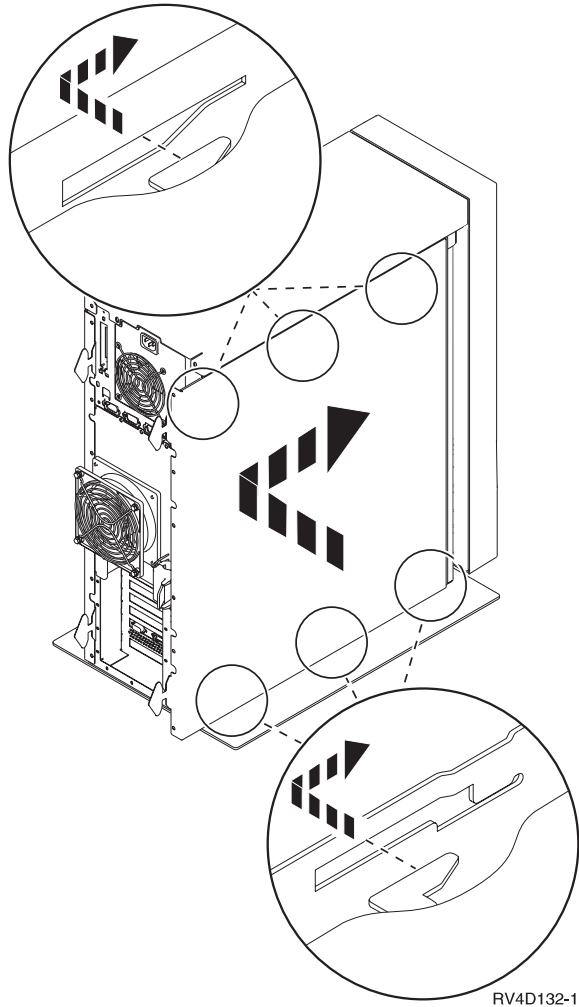
If you do not know where to install the adapter card, go to the placement tables in these instructions or go to the instructions that came with the adapter card. Look for the step that tells you where to install the adapter card and complete the installation.

Go to the instructions that came with that device.

- \_\_\_ 18. Install the system unit side cover by aligning the tabs on the top and bottom edge and press forward to make sure that all tabs enter the slots. Slide the cover toward the front of the system unit until it stops and install the screws (Table 8 on page 13).

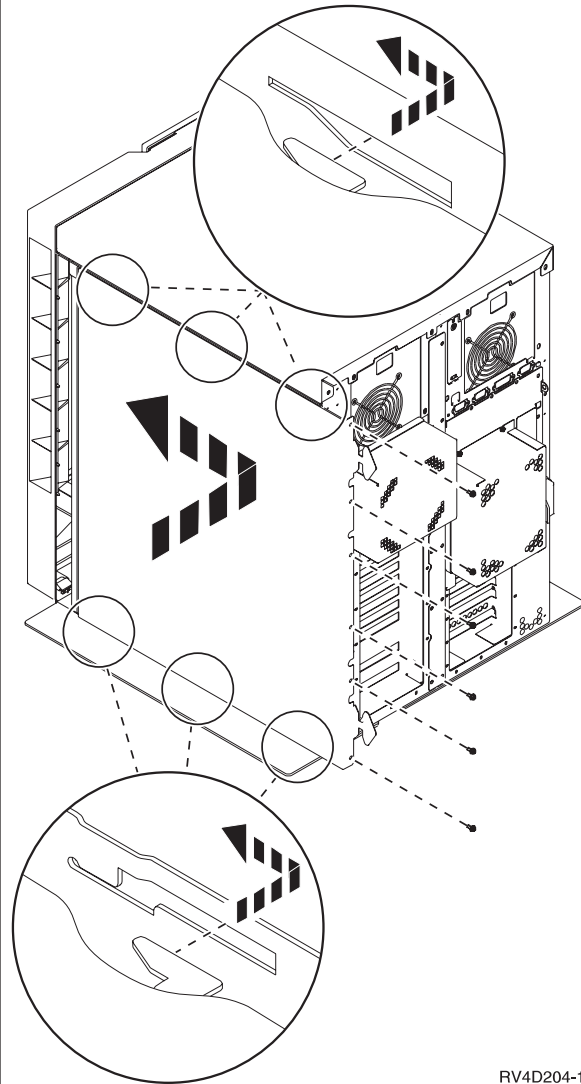
Table 8. Install Side Cover

Base Side



RV4D132-1

Expansion Side



RV4D204-1

## Completing the Installation

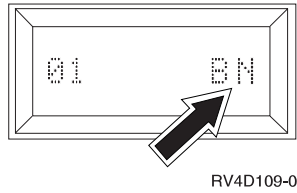
- 1. Install the system unit back cover.
- 2. **DANGER**

An electrical outlet that is not correctly wired could place hazardous voltage on metal parts of the system or the products that attach to the system. It is the customer's responsibility to ensure that the outlet is correctly wired and grounded to prevent an electrical shock. (RSFTD201)

Plug the following power cords into an electrical outlet.

- System unit
  - System unit console
- 3. Plug in and power on all attached devices, such as printers and displays.

- \_\_\_ 4. Look at the Function/Data display on the control panel. Does a **B N** appear in the Function/Data display?



**Yes**    **No**

↓ Do the following:

- a. Press the Up or Down select push button until **02** appears in the Function/Data display.
- b. Press the Enter push button on the control panel.
- c. Press the Up or Down select push button until **B N** appears in the Function/Data display.
- d. Press the Enter push button on the control panel.
- e. Press the Up or Down select push button until **01** appears in the Function/Data display.
- f. Press the Enter push button on the control panel.
- g. Go to step 5.

- \_\_\_ 5. Power on the workstation or PC that is your console.
- \_\_\_ 6. Press the system unit power-on button. The power-on light will appear.

**Note:** The system takes approximately 6 to 10 minutes to power on and complete an IPL.

- \_\_\_ 7. Sign on the system unit. Ensure that you have service tools authority.
- \_\_\_ 8. Do the following to verify your adapter card configuration:
- a. On an AS/400 command line, type:  
STRSST  
  
Press the Enter key.
  - b. When the Start a Service Tools menu appears, select the *Start a service tool* option.  
Press the Enter key.
  - c. When the Start a Service Tool menu appears, select the *Hardware service manager* option.  
Press the Enter key.
  - d. When the Hardware Service Manger menu appears, select the *Packaging hardware resources (system, frames, cards...)* option.  
Press the Enter key.
  - e. When the Packaging Hardware Resources menu appears, type a **9** in front of the *System Unit*.  
Press the Enter key.  
Verify the adapter card you just installed appears in the card position it was installed.  
If the adapter card is not listed, ensure that the card is properly installed.
  - f. Did you move an adapter card?

No      Yes

↓      Verify that the card you moved is listed on the *Packaging Hardware Resources* menu.

If a resource is missing (look for a ?) because an adapter card was moved, do the following:

- 1) On the line that has the question mark, type a **4** in the *Opt* column to remove the resource from the configuration.
- 2) Press the Enter key.
- 3) When Confirm Remove of Packaging Hardware Resources(s) appears, press the Enter key.
- 4) If you move an adapter card, or replace an adapter card with another adapter card, you need to change the *Resource Name*. For information on changing resource names, go to AS/400 online information, or the *Basic System Operation, Administration, and Problem Handling*, SC41-5206-04.
- 5) Go to step 9.

\_\_\_ 9. Print the configuration list, if you have a printer.

**Note:** To print the configuration list, press **F6** on the Packaging Hardware Resources menu.

Place the configuration list in the *Basic System Operation, Administration, and Problem Handling*, SC41-5206-04 book.

\_\_\_ 10. To return to the AS/400 Main menu, press **F3** three times and then press the Enter key.

\_\_\_ 11. For information on how to make your card operational, go to the *AS/400 Information Center*. You can access the Information Center from the *AS/400 Information Center*, SK3T-2027-03 or from the following Web site:

<http://www.as400.ibm.com/infocenter>

\_\_\_ 12. Your feature upgrade is complete. Keep all miscellaneous parts, such as wrap connectors, in a safe place.



---

## Notices

This information was developed for products and services offered in the U.S.A. IBM may not offer the products, services, or features discussed in this document in other countries. Consult your local IBM representative for information on the products and services currently available in your area. Any reference to an IBM product, program, or service is not intended to state or imply that only that IBM product, program, or service may be used. Any functionally equivalent product, program, or service that does not infringe any IBM intellectual property right may be used instead. However, it is the user's responsibility to evaluate and verify the operation of any non-IBM product, program, or service.

IBM may have patents or pending patent applications covering subject matter described in this document. The furnishing of this document does not give you any license to these patents. You can send license inquiries, in writing, to:

IBM Director of Licensing  
IBM Corporation  
500 Columbus Avenue  
Thornwood, NY 10594  
U.S.A.

For license inquiries regarding double-byte (DBCS) information, contact the IBM Intellectual Property Department in your country or send inquiries, in writing, to:

IBM World Trade Asia Corporation  
Licensing  
2-31 Roppongi 3-chome, Minato-ku  
Tokyo 106, Japan

**The following paragraph does not apply to the United Kingdom or any other country where such provisions are inconsistent with local law:**

INTERNATIONAL BUSINESS MACHINES CORPORATION PROVIDES THIS PUBLICATION "AS IS" WITHOUT WARRANTY OF ANY KIND, EITHER EXPRESS OR IMPLIED, INCLUDING, BUT NOT LIMITED TO, THE IMPLIED WARRANTIES OF NON-INFRINGEMENT, MERCHANTABILITY OR FITNESS FOR A PARTICULAR PURPOSE. Some states do not allow disclaimer of express or implied warranties in certain transactions, therefore, this statement may not apply to you.

This information could include technical inaccuracies or typographical errors. Changes are periodically made to the information herein; these changes will be incorporated in new editions of the publication. IBM may make improvements and/or changes in the product(s) and/or the program(s) described in this publication at any time without notice.

Information concerning non-IBM products was obtained from the suppliers of those products, their published announcements or other publicly available sources. IBM has not tested those products and cannot confirm the accuracy of performance, compatibility or any other claims related to non-IBM products. Questions on the capabilities of non-IBM products should be addressed to the suppliers of those products.

If you are viewing this information softcopy, the photographs and color illustrations may not appear.

The drawings and specifications contained herein shall not be reproduced in whole or in part without the written permission of IBM.

IBM has prepared this publication for use by customer personnel for operating and planning for the specific machines indicated. IBM makes no representations that it is suitable for any other purpose.

---

## Electronic Emission Notices

### Federal Communications Commission (FCC) Statement

**Note:** This equipment has been tested and found to comply with the limits for a Class A digital device, pursuant to Part 15 of the FCC Rules. These limits are designed to provide reasonable protection against harmful interference when the equipment is operated in a commercial environment. This equipment generates, uses, and can radiate radio frequency energy and, if not installed and used in accordance with the instruction manual, may cause harmful interference to radio communications. Operation of this equipment in a residential area is likely to cause harmful interference, in which case the user will be required to correct the interference at his own expense.

Properly shielded and grounded cables and connectors (IBM Part Number 75G5958, 75G2865, 97H7385, or its equivalent) must be used in order to meet FCC emission limits. IBM is not responsible for any radio or television interference caused by using other than recommended cables and connectors or by unauthorized changes or modifications to this equipment. Unauthorized changes or modifications could void the user's authority to operate the equipment.

This device complies with Part 15 of the FCC rules. Operation is subject to the following two conditions: (1) this device may not cause harmful interference, and (2) this device must accept any interference received, including interference that may cause undesired operation.

Responsible Party:

International Business Machines Corporation  
New Orchard Road  
Armonk, NY 10504

Telephone: 1-919-543-2193

### Industry Canada Compliance Statement

This Class A digital apparatus meets the requirements of the Canadian Interference-Causing Equipment Regulations.

### Avis de conformité à la réglementation d'Industrie Canada

Cet appareil numérique de la classe A respecte toutes les exigences du Règlement sur le matériel brouilleur du Canada.

### European Community Compliance Statement



This product is in conformity with the protection requirements of EU Council Directive 89/336/EEC on the approximation of the laws of the Member States relating to electromagnetic compatibility. IBM cannot accept responsibility for any failure to satisfy the protection requirements resulting from a non-recommended modification of the product, including the fitting of non-IBM option cards.

#### **Australia and new Zealand Class A Statement**

**Attention:** This is a Class A product. In a domestic environment this product may cause radio interference in which case the user may be required to take adequate measures.

---

## **Trademarks**

The following terms are trademarks of the IBM Corporation in the United States or other countries or both:

AS/400  
AS/400e series  
Client Access  
Client Access/400  
IBM  
Operating System/400  
OS/400  
400  
800-IBM-CALL

Microsoft, Windows, Windows NT, and the Windows logo are trademarks or registered trademarks of Microsoft Corporation.

UNIX is a registered trademark in the United States and other countries licensed exclusively through X/Open Company Limited

Other company, product, and service names, which may be denoted by a double asterisk (\*\*), may be trademarks or service marks of others.



---

## Readers' Comments — We'd Like to Hear from You

AS/400e 170 or 250  
2723 Ethernet  
Card Instruction

Publication No. SENG-2723-04

Overall, how satisfied are you with the information in this book?

	Very Satisfied	Satisfied	Neutral	Dissatisfied	Very Dissatisfied
Overall satisfaction	<input type="checkbox"/>	<input type="checkbox"/>	<input type="checkbox"/>	<input type="checkbox"/>	<input type="checkbox"/>

How satisfied are you that the information in this book is:

	Very Satisfied	Satisfied	Neutral	Dissatisfied	Very Dissatisfied
Accurate	<input type="checkbox"/>	<input type="checkbox"/>	<input type="checkbox"/>	<input type="checkbox"/>	<input type="checkbox"/>
Complete	<input type="checkbox"/>	<input type="checkbox"/>	<input type="checkbox"/>	<input type="checkbox"/>	<input type="checkbox"/>
Easy to find	<input type="checkbox"/>	<input type="checkbox"/>	<input type="checkbox"/>	<input type="checkbox"/>	<input type="checkbox"/>
Easy to understand	<input type="checkbox"/>	<input type="checkbox"/>	<input type="checkbox"/>	<input type="checkbox"/>	<input type="checkbox"/>
Well organized	<input type="checkbox"/>	<input type="checkbox"/>	<input type="checkbox"/>	<input type="checkbox"/>	<input type="checkbox"/>
Applicable to your tasks	<input type="checkbox"/>	<input type="checkbox"/>	<input type="checkbox"/>	<input type="checkbox"/>	<input type="checkbox"/>

Please tell us how we can improve this book:

Thank you for your responses. May we contact you?  Yes  No

When you send comments to IBM, you grant IBM a nonexclusive right to use or distribute your comments in any way it believes appropriate without incurring any obligation to you.

\_\_\_\_\_  
Name

\_\_\_\_\_  
Address

\_\_\_\_\_  
Company or Organization

\_\_\_\_\_  
Phone No.



Fold and Tape

Please do not staple

Fold and Tape



NO POSTAGE  
NECESSARY  
IF MAILED IN THE  
UNITED STATES

# BUSINESS REPLY MAIL

FIRST-CLASS MAIL PERMIT NO. 40 ARMONK, NEW YORK

POSTAGE WILL BE PAID BY ADDRESSEE

IBM CORPORATION  
ATTN DEPT 542  
IDCLERK  
3605 Highway 52 N  
ROCHESTER MN 55901-7829



Fold and Tape

Please do not staple

Fold and Tape





Printed in the United States of America  
on recycled paper containing 10%  
recovered post-consumer fiber.

SENG-2723-04

